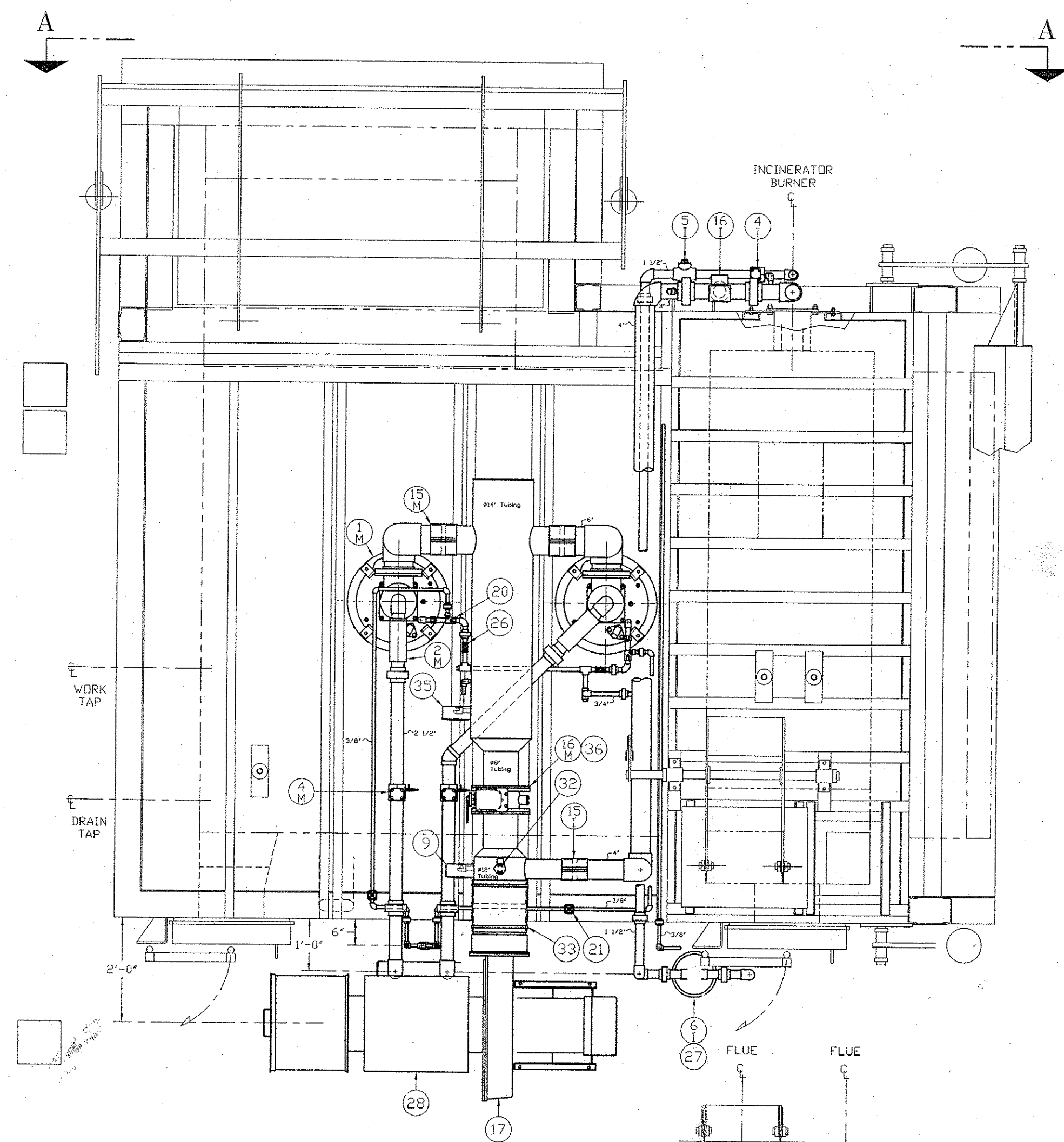


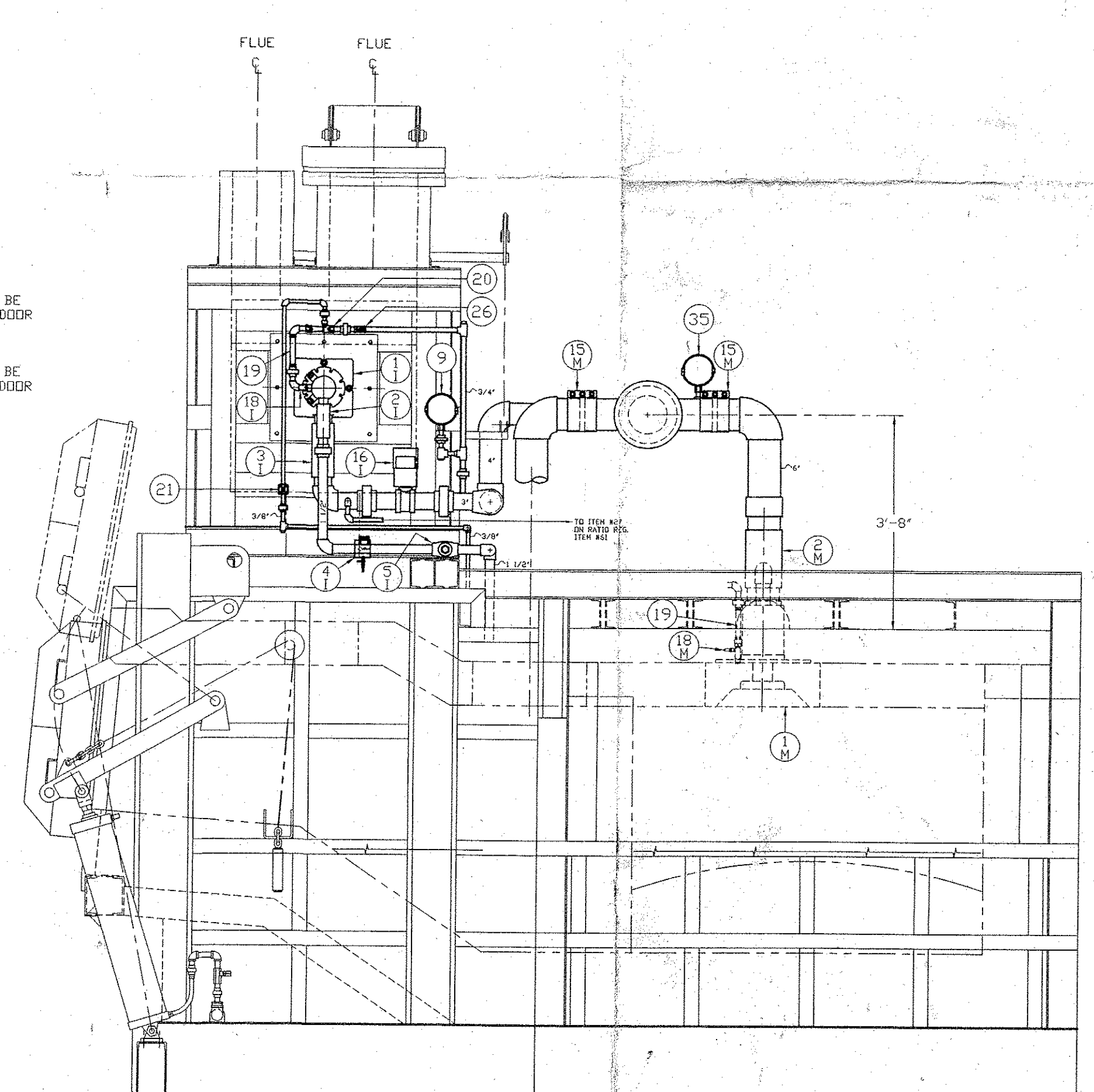
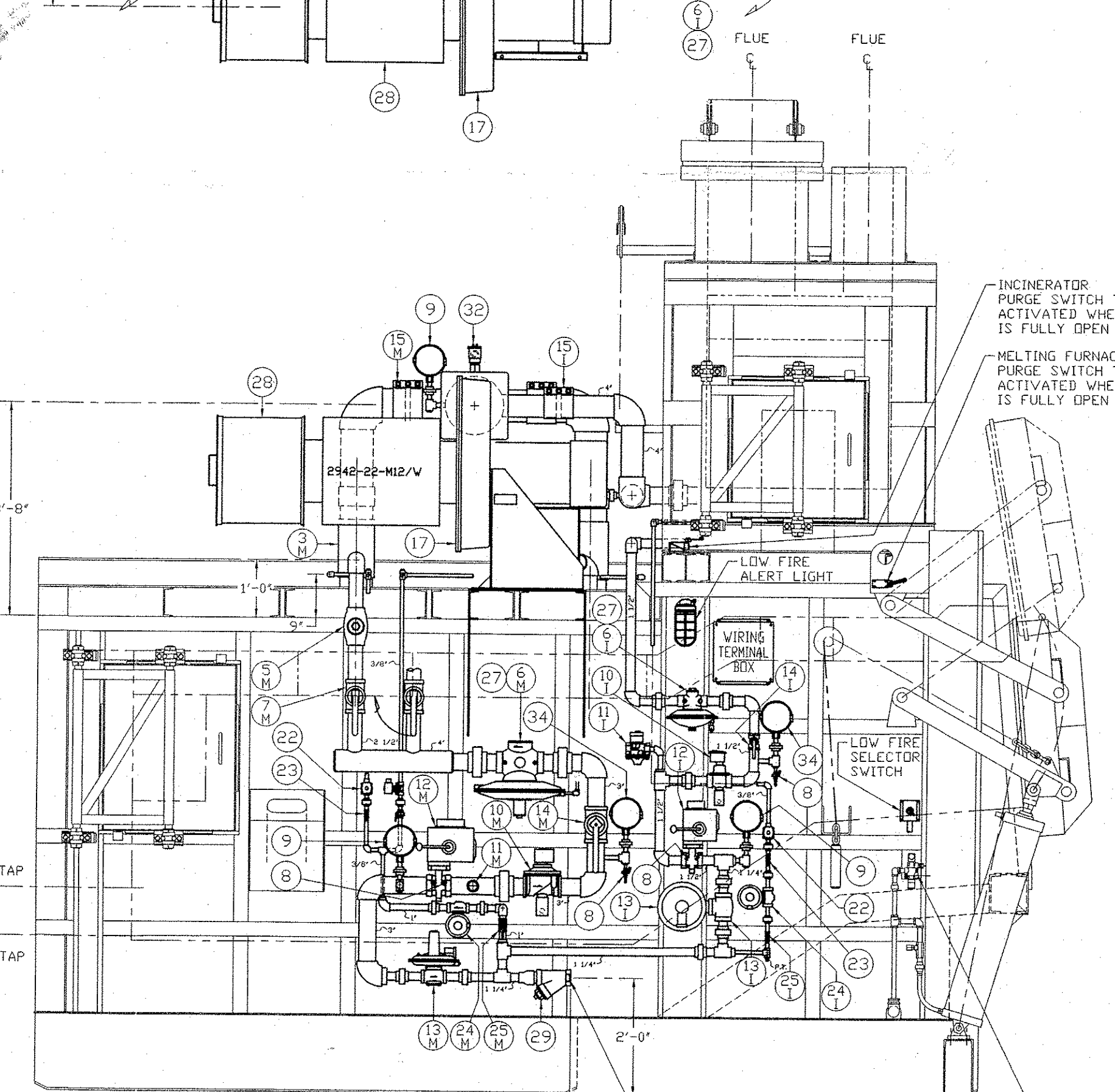
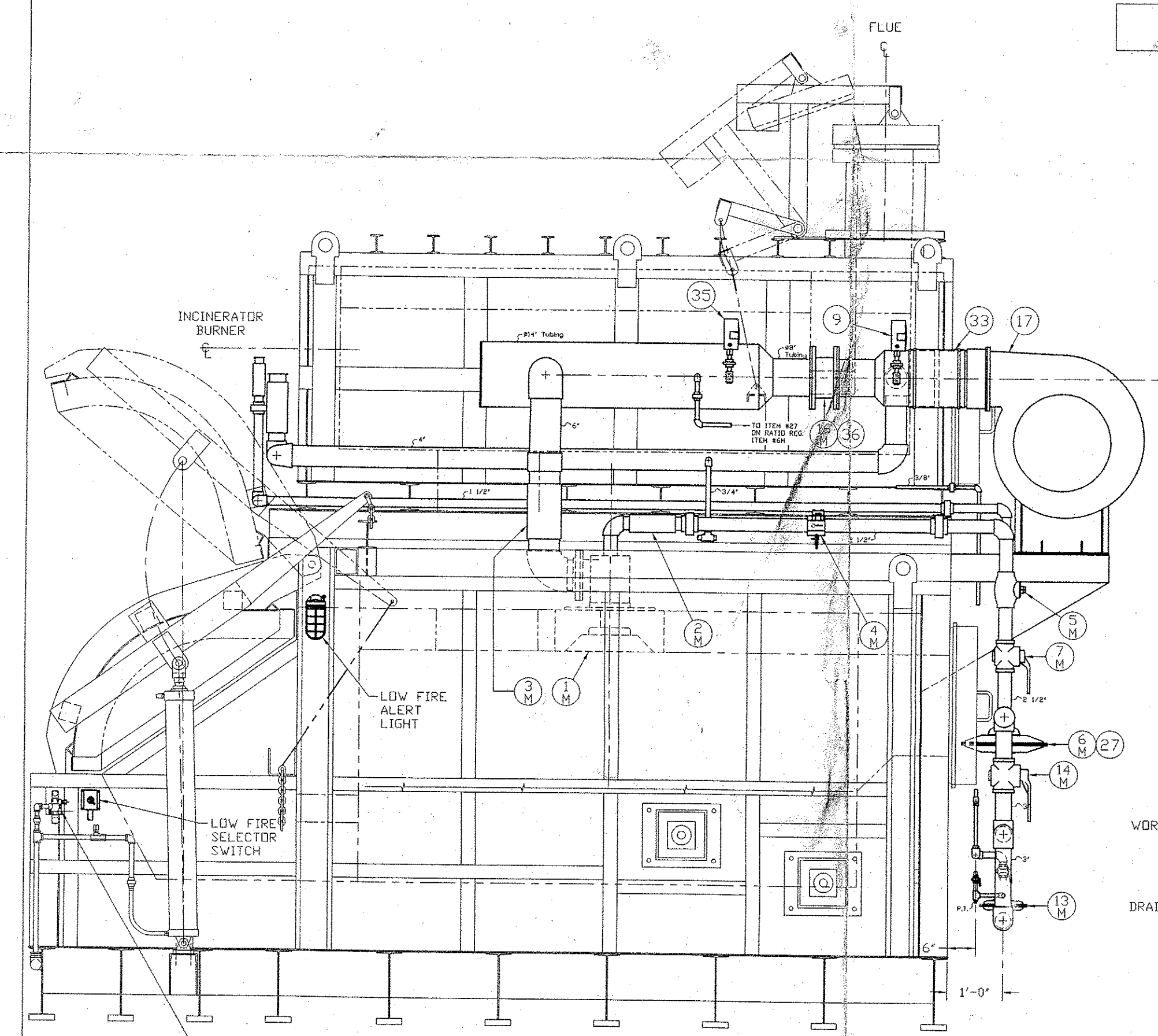
INFORMATION CONTAINED HEREIN IS CONFIDENTIAL, IS THE PROPERTY OF GENERAL SIGNAL CORPORATION, IS TO BE USED SOLELY FOR THE PURPOSE PROVIDED, AND IS NOT TO BE DISCLOSED TO OTHERS WITHOUT THE WRITTEN CONSENT OF GENERAL SIGNAL CORPORATION

ISSUED FOR JOB NUMBER:	QTY.	DATE ISSUED TO BUILD
R-8158 (MELTER)	1	FEB-9-2000
B.O.M. No. 2013-3504		
M-8040 (INCINERATOR)	1	FEB-9-2000
B.O.M. No. 3413-3501		



SAFETY NOTE: CUSTOMER MUST INDIVIDUALLY VENT ITEMS NO. 9 (GAS), 11I, 11M, 13I, 13M, 24I, 24M & 34 TO THE OUT-OF-DOORS

SHOP NOTES: BEFORE MPH DRYOUT OR IN FIELD DRYOUT...
 A... BREAK ALL COMBUSTION LINES AT A COMMON POINT.
 B... REMOVE PILOT TIP & U.V. SCANNER HOLDER.
 KEEP COPPER TUBING & IGNITION WIRES ABOVE ROOF CHANNELS & BEAMS
 PILOT MIXER IS TO BE ISOLATED BY UNIONS.



VIEW: A-A

APPROVED FOR GENERAL ARRANGEMENT BY _____ DATE _____


COMPRESSED AIR INLET FOR CHARGE WELL COVER DIRECTIONAL CONTROL LEVER HAND VALVE

2" NPT. CONNECT TO SUPPLY OF 1000 BTU/CUFT. NATURAL GAS @ 8750 CUFT/HR FLOW RATE 5 PSI MAX. INLET PRESSURE

COMPRESSED AIR INLET FOR HEARTH DOOR DIRECTIONAL CONTROL LEVER HAND VALVE

LTscale: (6.0000)
 DMscale: (10.0000)
 PL01scale: (1:24)
 PL01date: FEB-10-2000
 G:\CAD\620m\Combustion\133504.dwg

REVISION	DESCRIPTION	DATE	SYM
1	SIMILAR TO DWG No.		
2	FORMER DWG No.		

 A GENERAL SIGNAL COMPANY		P.O. BOX 13 RIVERSIDE, MICHIGAN 4
LINDBERG/MPH		1-616-849-2700 1-616-849-3021
TYPE 62-ARP 3500-SP GAS-FIRED STATIONARY ALUMINUM REVERBERATORY MELTING FU		
PART COMBUSTION PICTORIAL		
DRAWN BY	DATE	CUSTOMER
SP	JAN-27-00	HAYES ALBION C
CHECK BY	SCALE	DWG. NO.
	1/2" = 1 FT.	2013-3504